

Montage Hinterradabdeckung - Rear Hugger instructions

6529709



1 PERSON

30'

MEDIUM

Inbus
3, 4, 5, 8mm

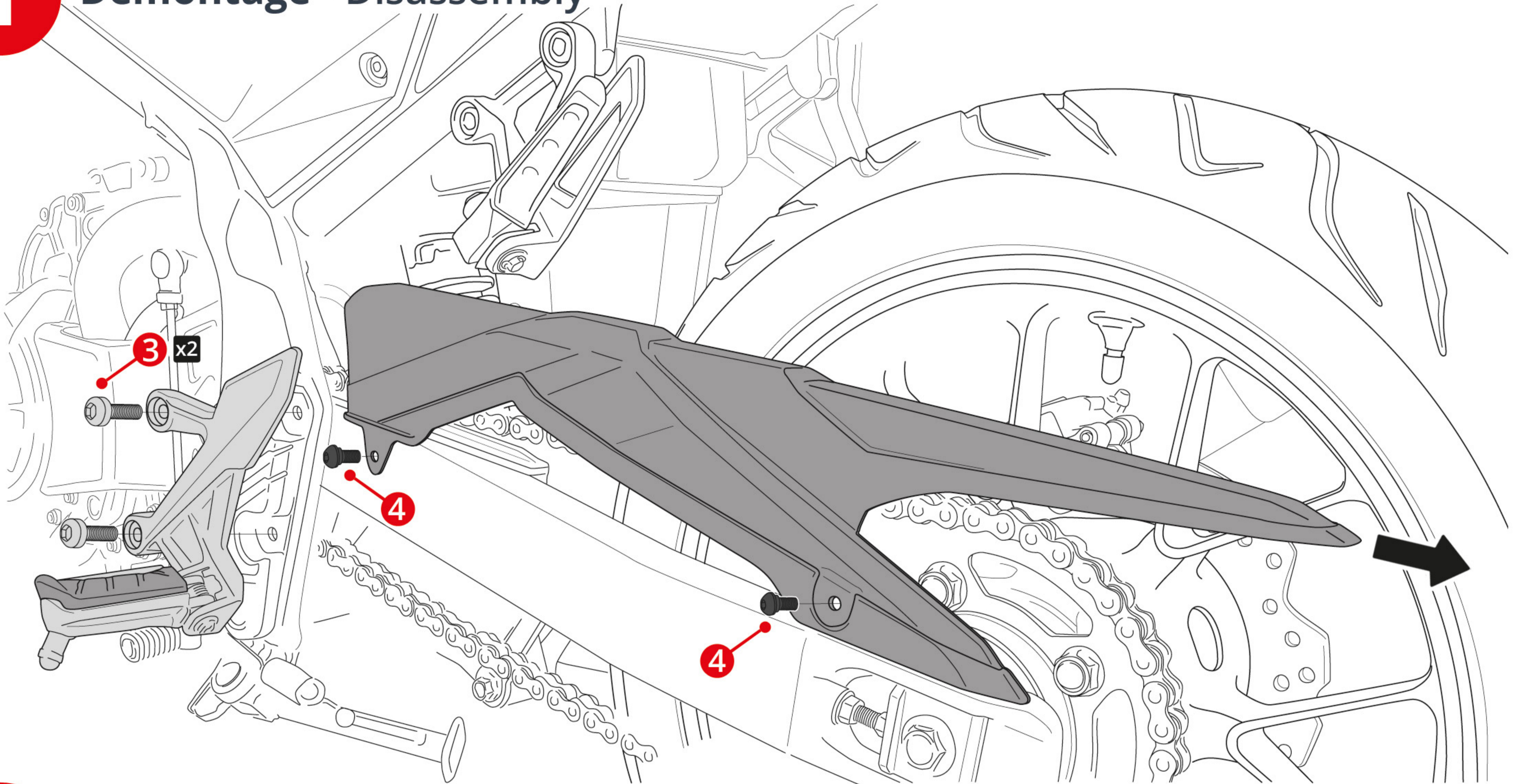
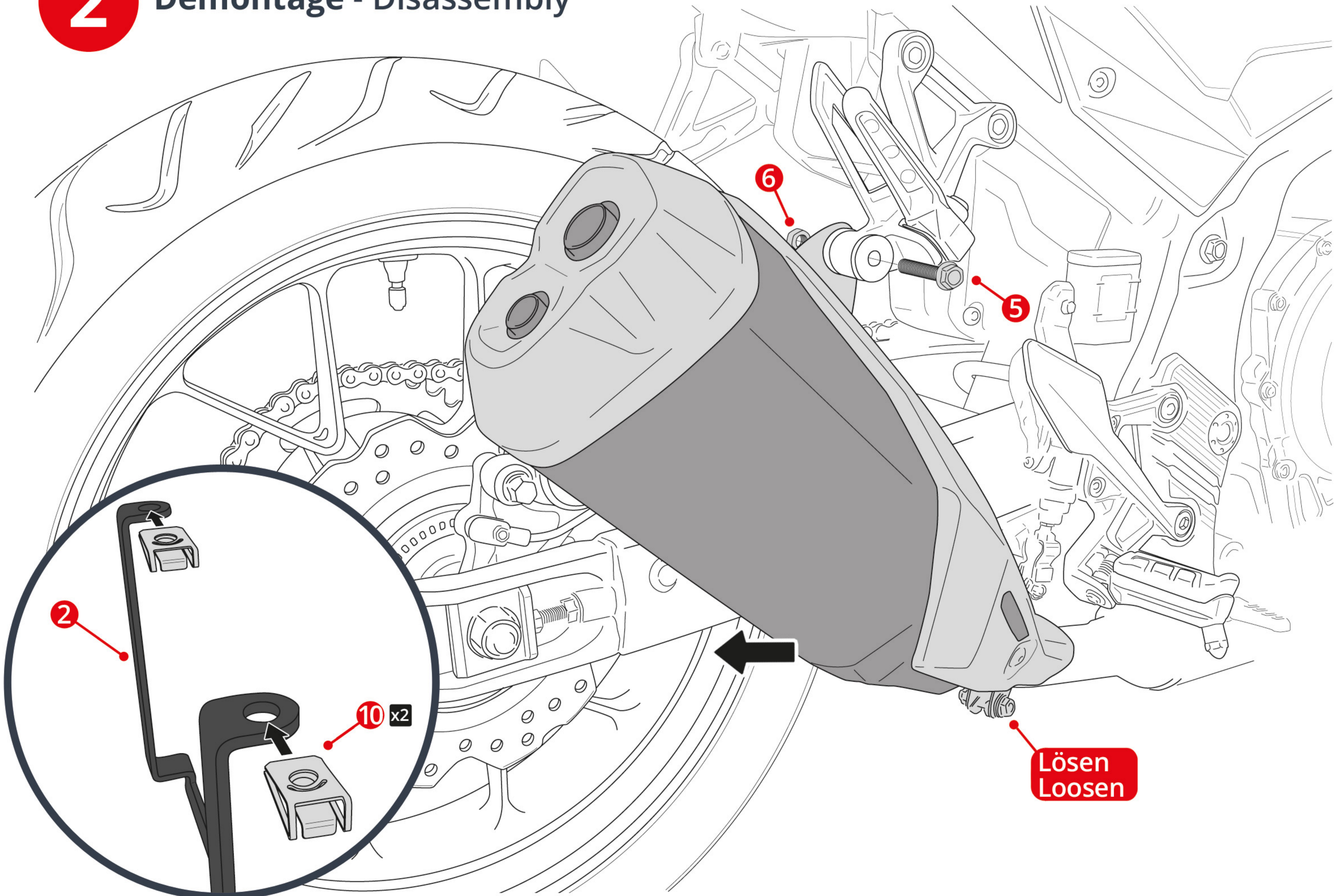
8, 12mm

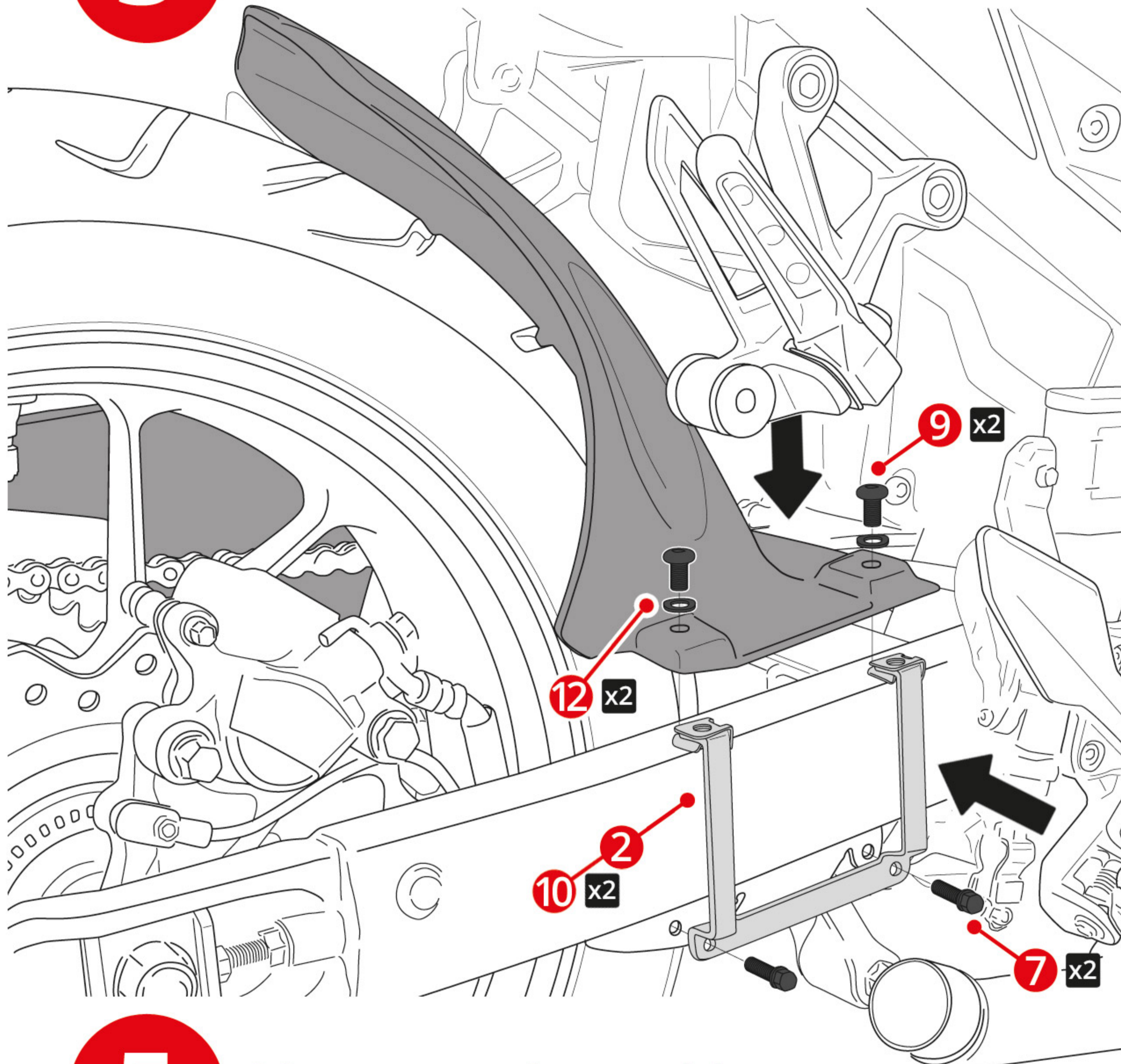
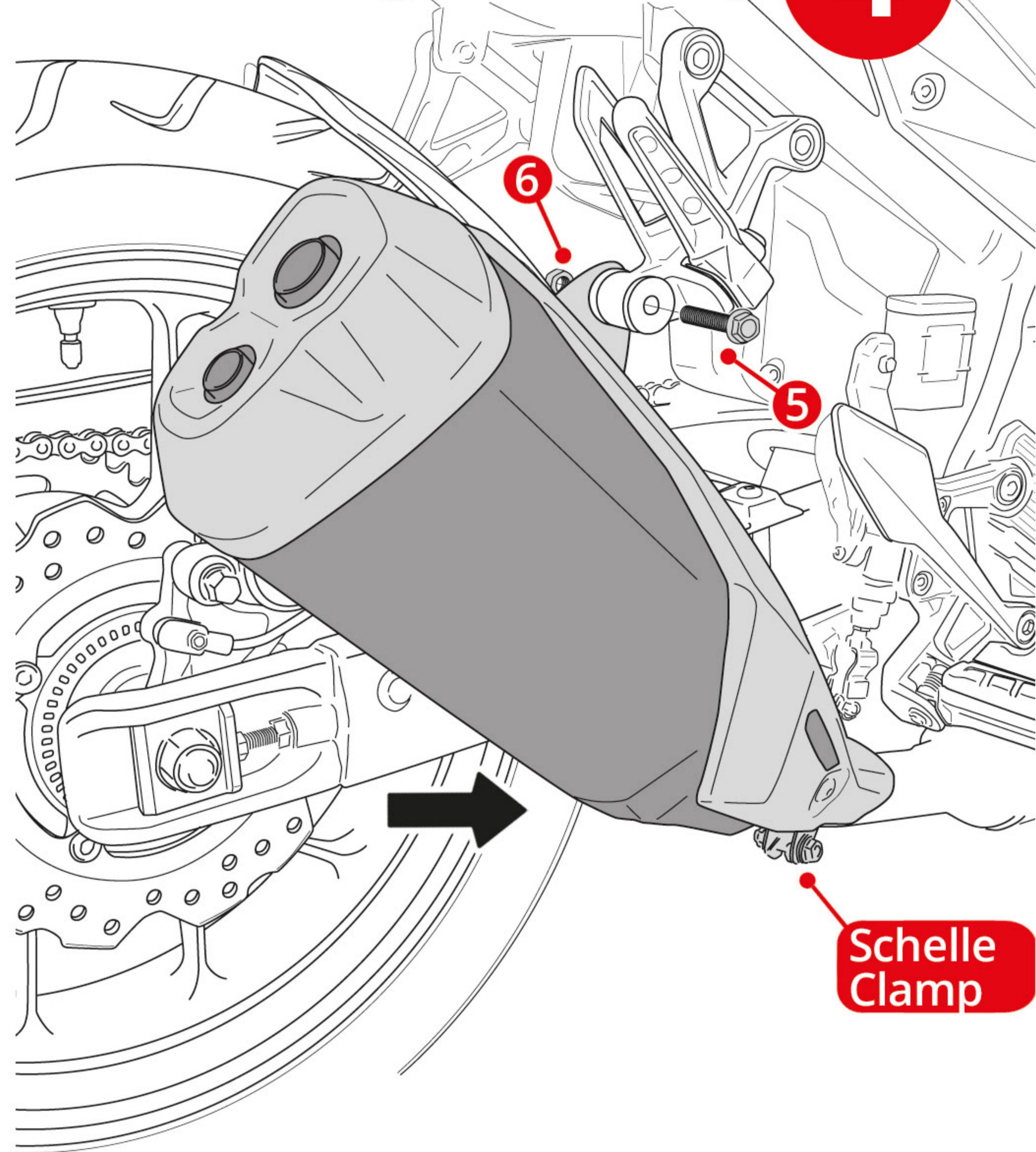
12mm

NR	TEILE / PARTS	MENGE	BESCHREIBUNG	DESCRIPTION
1		x1	Hinterradabdeckung	Ermmax rear hugger
2		x1	Halter	Fitting lug
3		x2	<i>originale Schraube M8 x 22</i>	<i>Ø8 x 22 Original screw (platinum footrest)</i>
4		x2	<i>originale Schraube M6 x 10</i>	<i>Ø6 x 10 Original shoulder screw (chain guard)</i>
5		x1	<i>originale Schraube M8 x 50</i>	<i>Ø8 x 50 Original screw (top silencer fitting)</i>
6		x1	<i>originale Mutter M8</i>	<i>M8 Original nut (top silencer fitting)</i>
7		x2	<i>originale Schraube</i>	<i>Original screw (hose lug)</i>
8		x2	Schraube M6 x 15 BHC	M6 x 15 Black BHC screw
9		x2	Schraube M5 x 15 BHC	M5 x 15 Black BHC screw
10		x2	Gewindeklemme M5	Threaded clip Ø5
11		x2	Kunststoffunterlegscheibe Ø6	Ø6 Nylon washer
12		x2	Kunststoffunterlegscheibe Ø5	Ø5 Nylon washer

Montage Hinterradabdeckung - Rear Hugger instructions

6529709

1 Demontage - Disassembly**2 Demontage - Disassembly**

3 Montage - Assembly**Montage - Assembly****4****5** Montage - Assembly